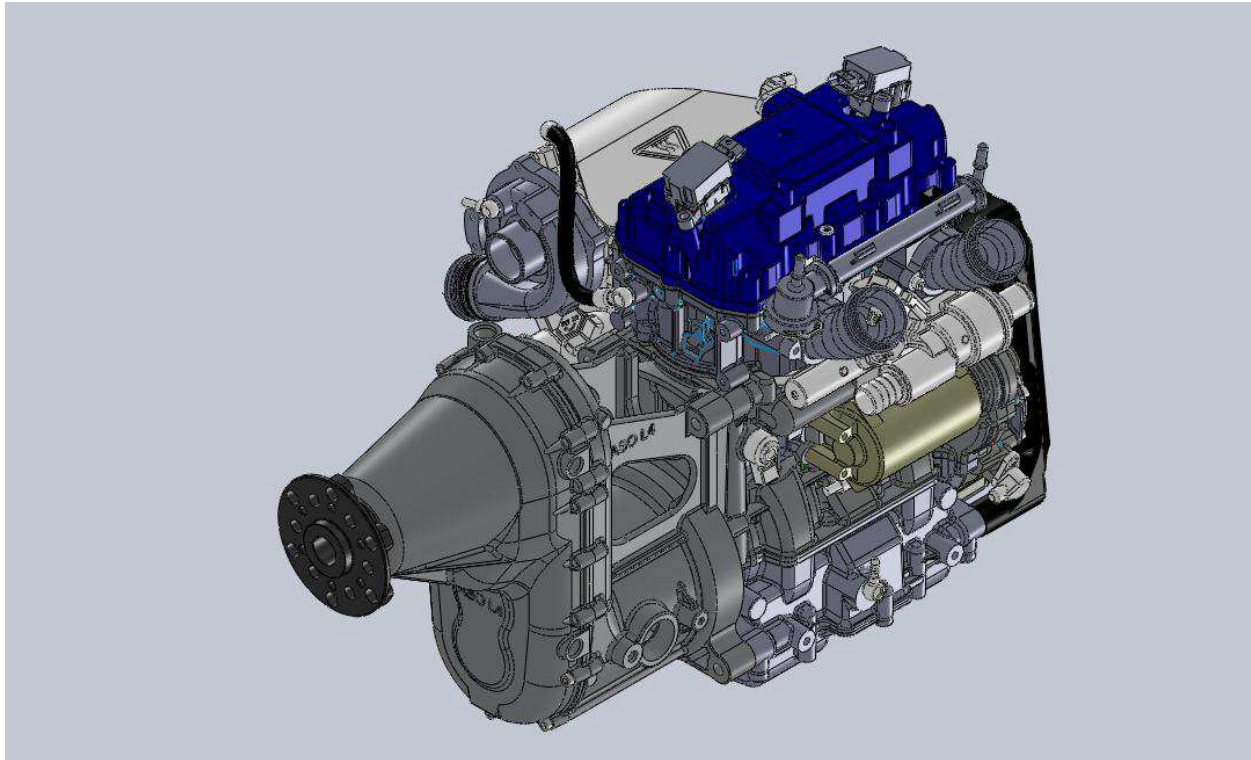




ASE MPE 750 series engines — 4 Stroke Electronic ignition
 Aspirated (NA series) 77 HP — Turbocharged (TC series) 120 / 135 HP



	<i>ASE MPE 750 NA Four Stroke Naturally Aspirated (NA) – 75 HP (54 kW)</i>	<i>ASE MPE 750 TC Four Stroke Turbocharged (TC) – 120 HP (88 Kw)</i>
Technical Specifications		
Type	Four Stroke, Overhead Cam, Parallel Twin	
Displacement	750 cc	
Power	NA: 77 HP (54 kW)@7500 rpm	TC: 120 HP (88 kW)@6600 rpm 138 HP @7500 rpm (max 5 min.)
Torque	NA: 72 Nm@6500 rpm	TC: 120 Nm@5000 rpm
Bore x Stroke/Compression	NA: 85 mm x 66 mm / 11:1	TC: 85 mm x 66 mm / 9:1
Alternator, Internal	360 W Nominal @ 12 V (30 A)	
Cooling System	Liquid Cooled	
Lubrication System	Dry Sump	
Starting System	Integrated Electrical Starter	
Fuel Delivery System	Map based, multipoint electronic fuel injection	
Aspiration	NA: Naturally Aspirated	TC: Turbo Charged
Fuel Requirement	Premium unleaded gasoline	
Weight	NA: 62 kg / 136 lbs without PRSU	TC: 72 kg / 158 lbs

specifications can change without notice

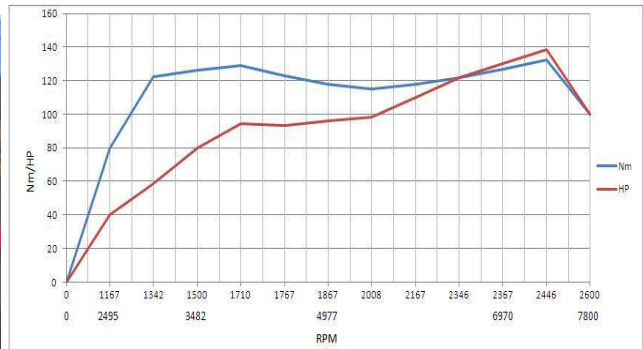
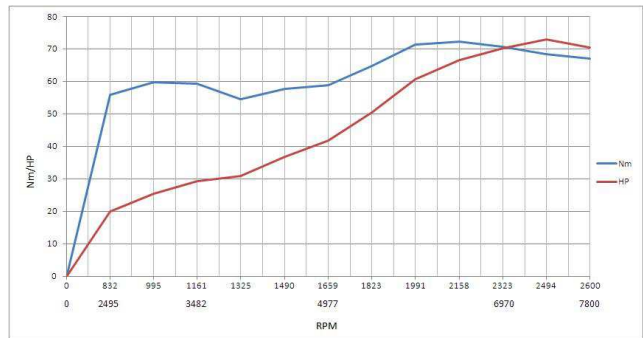
WWW.AEROSHOP.IT

Swissmotorengineering, Ambri Aerodrome, CH-6775 Ambri, Switzerland
 ph. +41 (0)91 868 11 22, mb. +41 (0)79 651 08 20, ita. +39 / 340 655 22 36, fax. +41 (0)091 868 11 22
www.swissmotorengineering.net , info@swissmotorengineering.net , www.helipromotion.com



Powered by Helipromotion

Swissmotorenengineering, Abri Aerodrome
 CH 6775 Ambri, Switzerland
 ph. +41 (0)91 868 11 22, mb. +41 (0)79 651 08 20,
 ita. +39 / 340 655 22 36, fax. +41 (0)091 868 11 22
www.swissmotorenengineering.net
info@swissmotorenengineering.net
www.helipromotion.com



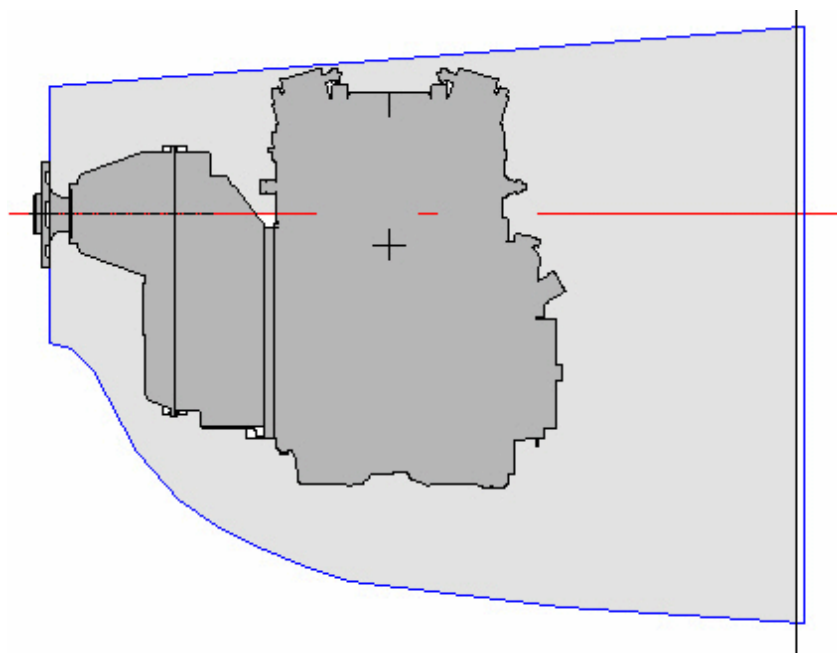
RELIABILITY.

The ASE MPE 750 core's engines are in production since 2003 and more than 30.000 aspirated and turbo engines have been made.

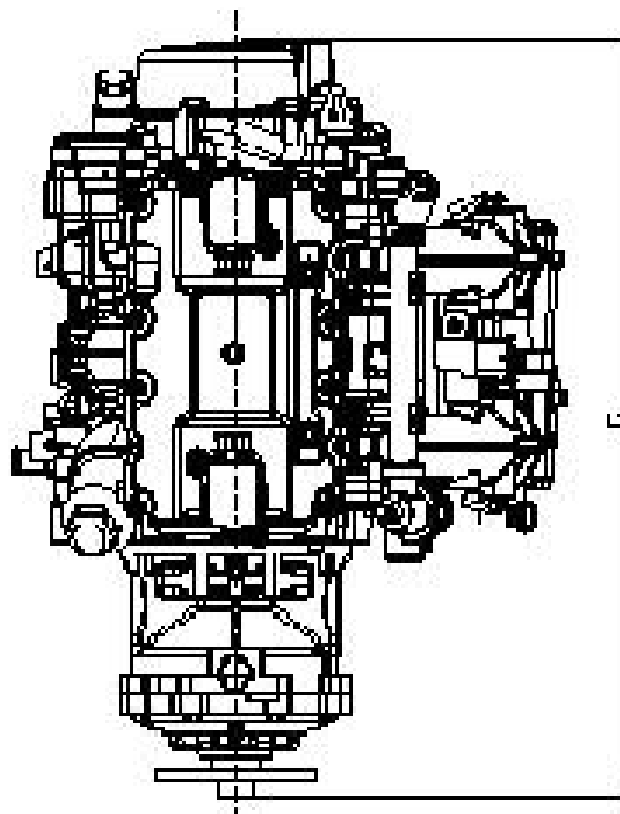
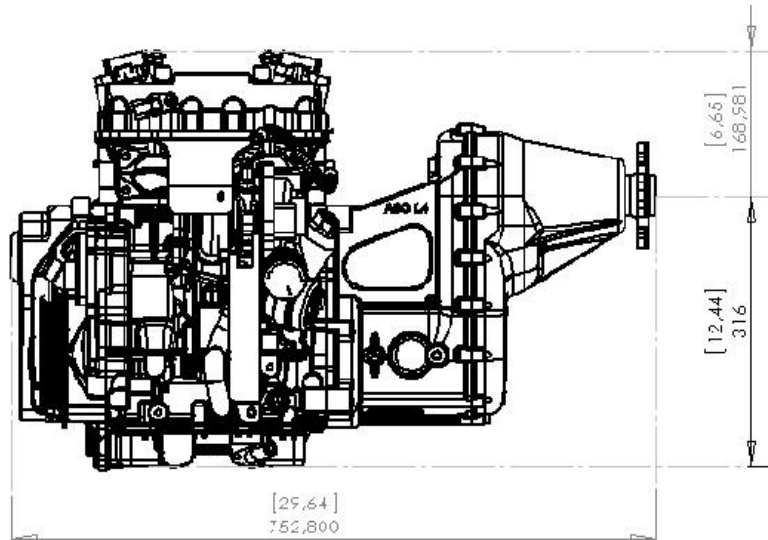
This compact two-cylinders engine four strokes, parallel shaft balancing, 4 valves per cylinder, uses the highest mechanical technology and advanced materials. The high performance and high power / weight ratio is accompanied by a reduced fuel consumption and low emissions for environment respect.

BENEFITS:

- High Power / Weight ratio
- Compact
- Suggested TBO: 2000 hrs
- Reduced fuel consumption, 20 % less then traditional similar engines
- Low exhaust emissions (certified)
- Power (MAP) managed by Electronic fuel injection control
- Reduction gearbox PRSU 3L (long) or PRSU 3S (short); ratio 3:1
- Easy to install on existing engine mount



Dimensions: ASE MPE 750 NA Normal Aspirated (centimetres) / [inch]

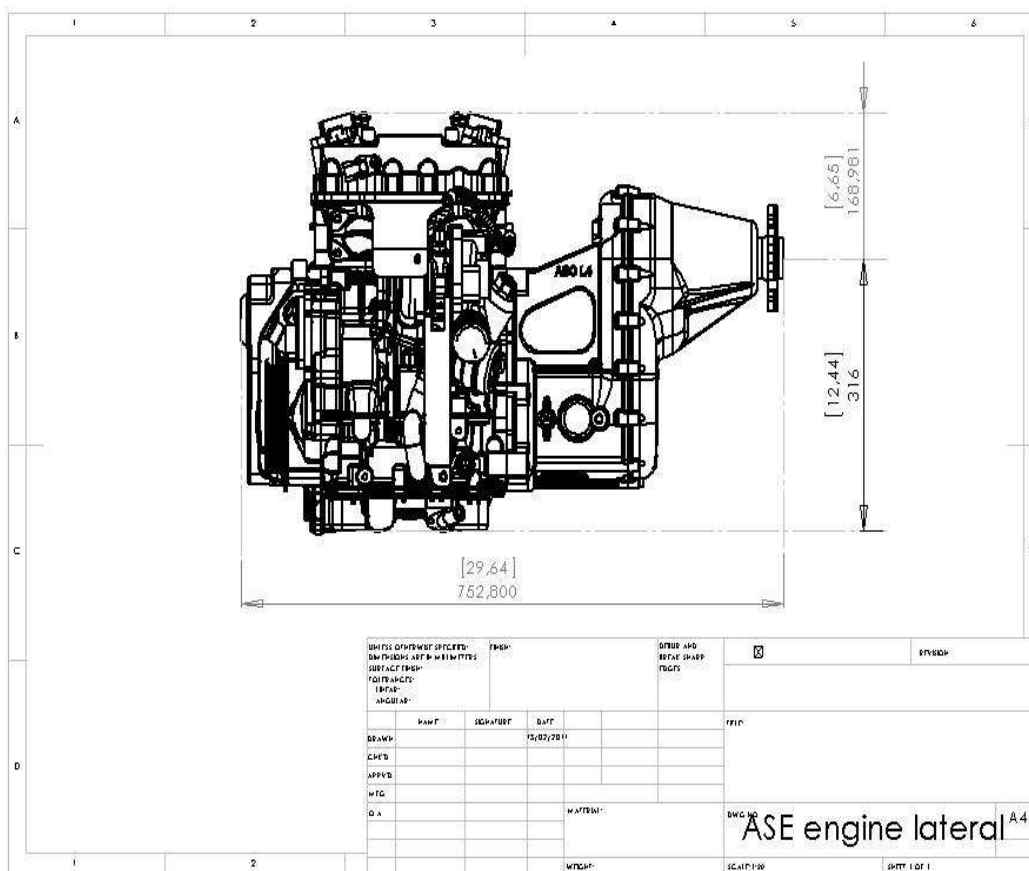
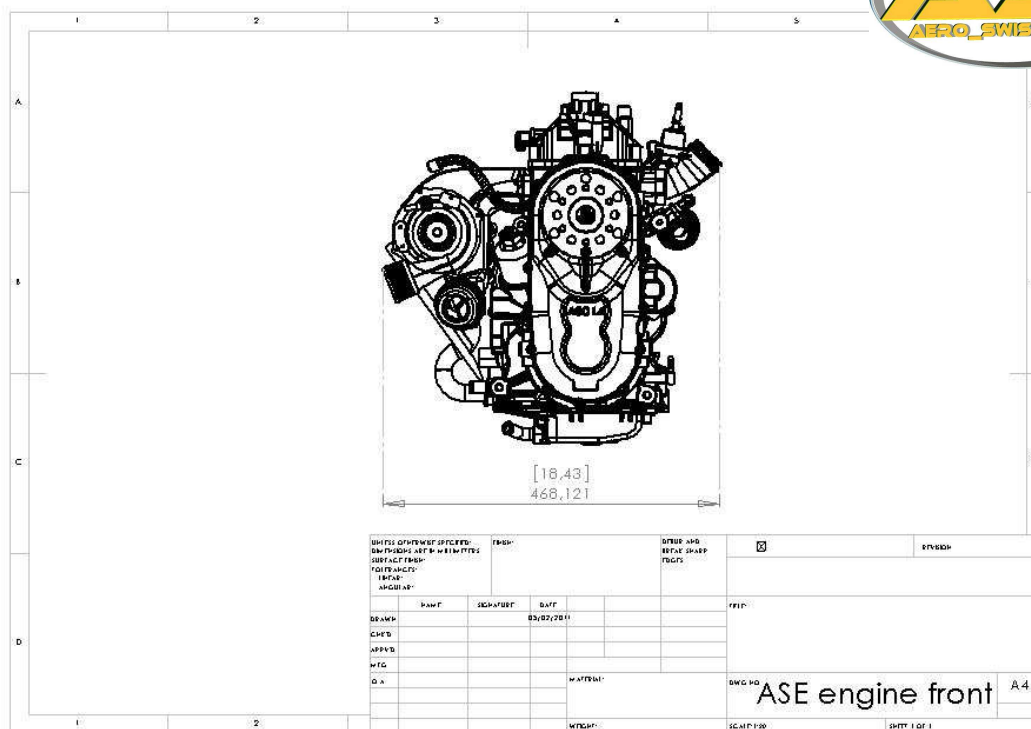


specifications can change without notice

WWW.AEROSHOP.IT

Swissmotorengineering, Ambri Aerodrome, CH-6775 Ambri, Switzerland
ph. +41 (0)91 868 11 22, mb. +41 (0)79 651 08 20, ita. +39 / 340 655 22 36, fax. +41 (0)91 868 11 22
www.swissmotorengineering.net , info@swissmotorengineering.net , www.helipromotion.com

Dimensions: ASE MPE 750 TC Turbocharged (centimetres) / [inch]



specifications can change without notice

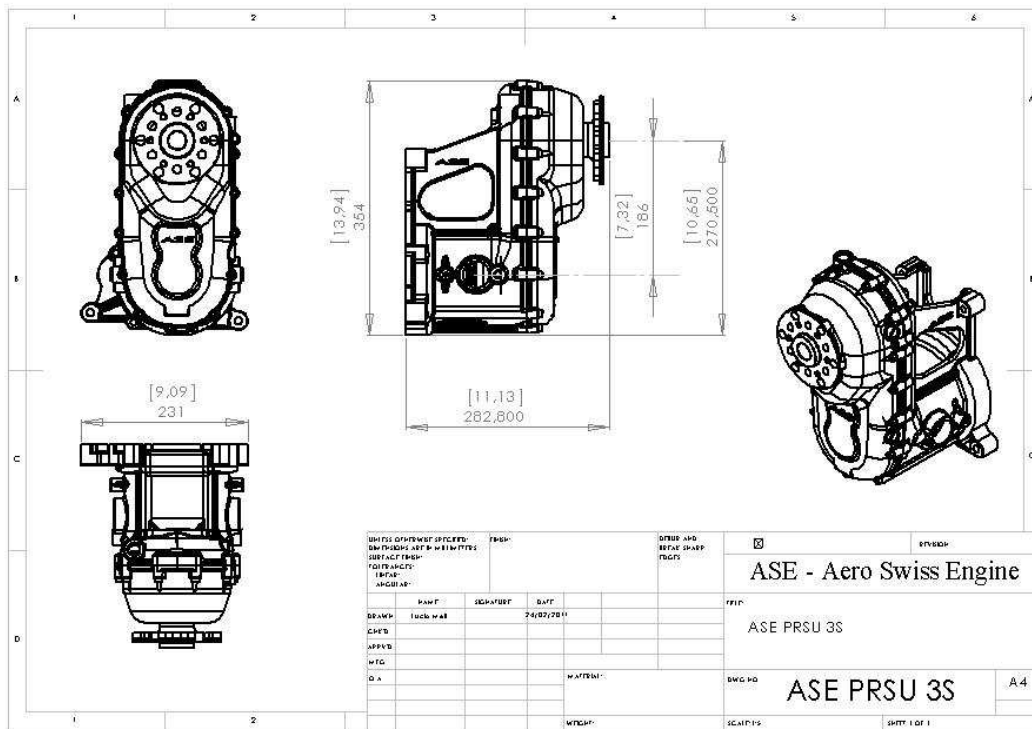
WWW.AEROSHOP.IT

Swissmotorengineering, Ambri Aerodrome, CH-6775 Ambri, Switzerland
 ph. +41 (0)91 868 11 22, mb. +41 (0)79 651 08 20, ita. +39 / 340 655 22 36, fax. +41 (0)091 868 11 22
www.swissmotorengineering.net , info@swissmotorengineering.net , www.helipromotion.com

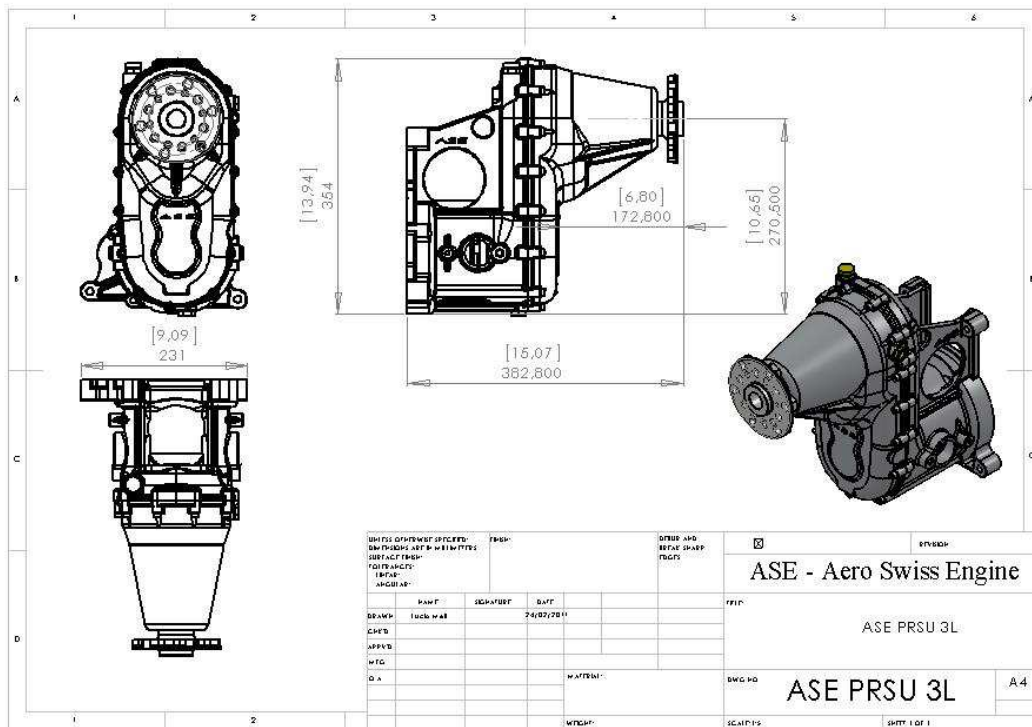
Dimensions: ASE PRSU
Centimetres / [inch]



ASE PRSU 3S (short)



ASE PRSU 3L (long)



specifications can change without notice

WWW.AEROSHOP.IT

Swissmotorengineering, Ambri Aerodrome, CH-6775 Ambri, Switzerland
 ph. +41 (0)91 868 11 22, mb. +41 (0)79 651 08 20, ita. +39 / 340 655 22 36, fax. +41 (0)91 868 11 22
www.swissmotorengineering.net , info@swissmotorengineering.net , www.helipromotion.com